

# SEAT CLAMP



- |  |  |  |   |
|--|--|--|---|
|  <p><b>CC-051A</b><br/> <b>Diameter</b> ø31.8, ø34.9mm<br/> <b>Material</b> AL6061T6<br/> <b>Finish</b> Anodized color<br/> <b>Height</b> 18mm<br/> <b>Weight</b> 41.8g (ø31.8)</p>             |  <p><b>CC-053A</b><br/> <b>Diameter</b> ø34.9mm<br/> <b>Material</b> AL6061T6 Forged<br/> <b>Finish</b> Anodized color<br/> <b>Height</b> 23mm<br/> <b>Weight</b> 22.8g</p>                         |  <p><b>CC-058A</b><br/> <b>Diameter</b> ø31.8, ø34.9mm<br/> <b>Material</b> AL6061T6 Forged<br/> <b>Finish</b> Anodized color<br/> <b>Height</b> 26mm<br/> <b>Weight</b> 26.6g (ø34.9)</p>  |  <p><b>CC-059A</b><br/> <b>Diameter</b> ø34.9mm<br/> <b>Material</b> AL6061T6 Full CNC<br/> <b>Finish</b> Anodized color<br/> <b>Height</b> 20mm<br/> <b>Weight</b> 21g (Stainless bolt)</p>   |
|  <p><b>CC-054A</b><br/> <b>Diameter</b> ø28.6, ø31.8, ø34.9mm<br/> <b>Material</b> AL6061T6 CNC<br/> <b>Finish</b> Anodized color<br/> <b>Height</b> 17mm<br/> <b>Weight</b> 22.4g (ø31.8)</p> |  <p><b>CC-055A</b><br/> <b>Diameter</b> ø28.6, ø31.8, ø34.9mm<br/> <b>Material</b> AL6061T6<br/> <b>Finish</b> Anodized color<br/> <b>Height</b> 17mm<br/> <b>Weight</b> 21.5g (ø31.8)</p>         |  <p><b>CC-062A</b><br/> <b>Diameter</b> ø31.8, ø34.9mm<br/> <b>Material</b> AL7075T6 Full CNC<br/> <b>Finish</b> Anodized color<br/> <b>Height</b> 25mm<br/> <b>Weight</b> 17.9g (ø34.9/Ti bolt)<br/>         18.6g (ø31.8/Stainless bolt)</p>      |  <p><b>CC-063A</b><br/> <b>Diameter</b> ø31.8, ø34.9mm<br/> <b>Material</b> AL7075T6 CNC<br/> <b>Finish</b> Anodized color<br/> <b>Height</b> 13mm<br/> <b>Weight</b> 12.4g (ø31.8)</p>  |
|  <p><b>CC-055A1</b><br/> <b>Diameter</b> ø28.6, ø31.8, ø34.9mm<br/> <b>Material</b> AL6061T6<br/> <b>Finish</b> Anodized color<br/> <b>Height</b> 17mm<br/> <b>Weight</b> 22.7g (ø28.6)</p>   |  <p><b>CC-055B</b><br/> <b>Diameter</b> ø28.6, ø31.8, ø34.9mm<br/> <b>Material</b> AL6061T6<br/> <b>Finish</b> Anodized color<br/> <b>Height</b> 17mm<br/> <b>Weight</b> 22.7g (ø28.6)</p>        |  <p><b>CC-064A</b><br/> <b>Diameter</b> ø28.6, ø31.8, ø34.9mm<br/> <b>Material</b> AL6061T6 CNC<br/> <b>Finish</b> Anodized color<br/> <b>Height</b> 11mm<br/> <b>Weight</b> 24.0g (ø28.6)<br/>         22.9g (ø34.9)</p>                           |  <p><b>CC-068A</b><br/> <b>Diameter</b> ø31.8, ø34.9mm<br/> <b>Material</b> AL6061T6 Full CNC<br/> <b>Finish</b> Anodized color<br/> <b>Height</b> 11mm<br/> <b>Weight</b> 17.6g (ø34.9)</p>   |
|  <p><b>CC-056A</b><br/> <b>Diameter</b> ø28.6, ø31.8, ø34.9mm<br/> <b>Material</b> AL6061T6<br/> <b>Finish</b> Anodized color<br/> <b>Height</b> 11mm<br/> <b>Weight</b> 24.4g (ø34.9)</p>    |  <p><b>CC-057A</b><br/> <b>Diameter</b> ø28.6, ø31.8, ø34.9mm<br/> <b>Material</b> AL6061T6 Forged<br/> <b>Finish</b> Anodized color<br/> <b>Height</b> 17mm<br/> <b>Weight</b> 22.2g (ø34.9)</p> |  <p><b>CC-069A</b><br/> <b>Diameter</b> ø31.8, ø34.9, 36mm<br/> <b>Material</b> AL6061T6 Full CNC<br/> <b>Finish</b> Anodized color<br/> <b>Height</b> 14mm<br/> <b>Weight</b> 22g (ø34.9)</p>  |  <p><b>CC-070A</b><br/> <b>Diameter</b> ø31.8, ø34.9, 36mm<br/> <b>Material</b> AL6061T6 Full CNC<br/> <b>Finish</b> Anodized color<br/> <b>Height</b> 24mm<br/> <b>Weight</b> 37g (ø34.9)</p>   |
|  |  |  <p><b>CC-071A</b><br/> <b>Diameter</b> ø31.8, ø34.9, 36mm<br/> <b>Material</b> AL6066T6 Full CNC<br/> <b>Finish</b> Anodized color<br/> <b>Height</b> 13mm<br/> <b>Weight</b> 9.9g (ø31.8/Ti bolt)<br/>         10.8g (ø31.8/Stainless bolt)</p>  |  <p><b>CC-073A</b><br/> <b>Diameter</b> ø28.6, ø31.8, ø34.9mm<br/> <b>Material</b> AL6061T6 Full CNC<br/> <b>Finish</b> Anodized color<br/> <b>Height</b> 23mm<br/> <b>Weight</b> 31g (ø28.6)</p>   |
|  |  |  <p><b>CC-075A</b><br/> <b>Diameter</b> ø31.8, ø34.9, 36mm<br/> <b>Material</b> AL6066T6 Full CNC<br/> <b>Finish</b> Anodized color<br/> <b>Height</b> 11mm<br/> <b>Weight</b> 8.9g (ø34.9/Ti bolt)<br/>         10.3g (ø34.9/Stainless bolt)</p> |  <p><b>CC-076A</b><br/> <b>Diameter</b> ø28.6, ø31.8, ø34.9mm<br/> <b>Material</b> AL6061T6 Full CNC<br/> <b>Finish</b> Anodized color<br/> <b>Height</b> 12mm<br/> <b>Weight</b> 18g (ø34.9)</p>  |
|  |  |  <p><b>CC-077A</b><br/> <b>Diameter</b> ø28.6, ø31.8, ø34.9mm<br/> <b>Material</b> AL6061T6 Full CNC<br/> <b>Finish</b> Anodized color<br/> <b>Height</b> 15mm<br/> <b>Weight</b> 22.9g (ø34.9)</p>   |  <p><b>CC-079A1</b><br/> <b>Diameter</b> ø31.8 + ø27.2mm ,<br/>         ø31.8 + ø28.6mm ,<br/>         ø34.9 + ø31.8mm<br/> <b>Material</b> AL6061T6 Full CNC<br/> <b>Finish</b> Anodized color<br/> <b>Height</b> 21mm<br/> <b>Weight</b> 36g (ø34.9)</p> |

# SEAT CLAMP



## CC-080A

**Diameter** ø34.9mm  
**Material** AL6061T6 Forged  
**Finish** Anodized color  
**Height** 14mm  
**Weight** 15.2g



## CC-085A

**Diameter** ø25.4, ø28.6mm  
**Material** AL6061T6  
**Finish** Anodized color  
**Height** 25.5mm  
**Weight** 56.6g (ø31.8)



## CC-095A

**Diameter** ø25.4, ø28.6, ø31.8mm  
**Material** AL6061T6  
**Finish** Anodized color  
**Height** 25.5mm  
**Weight** 52.2g (ø28.6)



## CC-096A

**Diameter** ø28.6, ø31.8, ø34.9mm  
**Material** AL6061T6  
**Finish** Anodized color  
**Height** 13mm  
**Weight** 25g (ø31.8)



## CC-205-1

**Diameter** ø28.6, ø31.8, ø34.9mm  
**Material** AL6061T6  
**Finish** Anodized color  
**Height** 13mm  
**Weight** 26.8g (ø31.8)



## CC-206C

**Diameter** ø28.6, ø31.8, ø34.9mm  
**Material** AL6061T6  
**Finish** AL+Carbon  
**Height** 16mm  
**Weight** 23g (ø31.8)



## CC-083A

**Diameter** ø31.8mm  
**Material** AL6061T6  
**Finish** Anodized color  
**Height** 12mm  
**Weight** 18.4g



## CC-090A

**Diameter** ø25.4, ø28.6, ø31.8mm  
**Material** AL6061T6  
**Finish** Anodized color  
**Height** 31.5mm  
**Weight** 50.8g (ø28.6)



## CC-095B

**Diameter** ø25.4, ø28.6, ø31.8, ø34.9mm  
**Material** AL6061T6  
**Finish** Anodized color  
**Height** 14mm  
**Weight** 23.2g (ø31.8)



## CC-205

**Diameter** ø28.6, ø31.8, ø34.9mm  
**Material** AL6061T6  
**Finish** Anodized color  
**Height** 13mm  
**Weight** 25.8g (ø31.8)



## CC-206

**Diameter** ø28.6, ø31.8, ø34.9mm  
**Material** AL6061T6  
**Finish** Anodized color  
**Height** 13mm  
**Weight** 22.4g (ø31.8)



## CC-212

**Diameter** ø28.6, ø31.8, ø34.9mm  
**Material** AL6061T6 Forged  
**Finish** Anodized color  
**Height** 14mm  
**Weight** 21.8g (ø34.9)



## CC-306

**Diameter** ø28.6, ø31.8, ø34.9mm  
**Material** AL6061T6 CNC  
**Finish** Anodized color  
**Height** 15mm  
**Weight** 25g (ø31.8)



## CC-310

**Diameter** ø28.6, ø31.8, ø34.9mm  
**Material** AL6061T6 Forged  
**Finish** Anodized color  
**Height** 12mm  
**Weight** 21.1g (ø31.8)



## CC-312

**Diameter** ø28.6, ø31.8, ø34.9mm  
**Material** AL6061T6 Forged  
**Finish** Anodized color  
**Height** 13mm  
**Weight** 24.4g (ø31.8)



## CC-314

**Diameter** ø31.8, ø34.9mm  
**Material** AL6061T6 CNC  
**Finish** Anodized color  
**Height** 11mm  
**Weight** 14.3g (ø31.8)



## CC-316

**Diameter** ø31.8mm  
**Material** AL6061T6 Forged  
**Finish** Anodized color  
**Height** 12mm  
**Weight** 15.7g



## CC-321

**Diameter** ø34.9mm  
**Material** AL6061T6 Forged  
**Finish** Anodized color  
**Height** 13mm  
**Weight** 22.6g



## CC-323

**Diameter** ø31.8, ø34.9mm  
**Material** AL6061T6 Forged  
**Finish** Anodized color  
**Height** 15mm  
**Weight** 24.9g (ø34.9)



## CC-308

**Diameter** ø28.6, ø31.8, ø34.9mm  
**Material** AL6061T6 Forged  
**Finish** Anodized color  
**Height** 12.5mm  
**Weight** 21.5g (ø31.8)



## CC-311

**Diameter** ø28.6, ø31.8, ø34.9mm  
**Material** AL6061T6 Forged  
**Finish** Anodized color  
**Height** 12mm  
**Weight** 19.4g (ø28.6)



## CC-313

**Diameter** ø28.6, ø31.8, ø34.9mm  
**Material** AL6061T6 Forged  
**Finish** Anodized color  
**Height** 13mm  
**Weight** 23.8g (ø31.8)



## CC-315

**Diameter** ø31.8, ø34.9mm  
**Material** AL6061T6  
**Finish** Anodized color  
**Height** 13mm  
**Weight** 26.0g (ø34.9)



## CC-317

**Diameter** ø31.8mm  
**Material** AL6061T6 Forged  
**Finish** Anodized color  
**Height** 12mm  
**Weight** 18.6g



## CC-322

**Diameter** ø31.8, ø34.9mm  
**Material** AL6061T6 Forged  
**Finish** Anodized color  
**Height** 33mm  
**Weight** 34.3g (ø31.8)



## CC-324

**Diameter** ø28.6, ø31.8, ø34.9mm  
**Material** AL6061T6 Forged  
**Finish** Anodized color  
**Height** 13mm  
**Weight** 22g (ø34.9)



# SEAT CLAMP



## CC-325

**Diameter** ø28.6, ø31.8, ø34.9mm  
**Material** AL6061T6 CNC  
**Finish** Anodized color  
**Height** 19mm  
**Weight** 35.0g (ø31.8)



## CC-901C

**Diameter** ø31.8, ø34.9mm  
**Material** Carbon Fiber  
**Finish** Carbon  
**Height** 15mm  
**Weight** 12.3g (ø34.9)



## CC-903A

**Diameter** ø31.8, ø34.9mm  
**Material** AL6061T6  
**Finish** Anodized color  
**Height** 13mm  
**Weight** 23g (ø31.8)



## CC-903C

**Diameter** ø31.8, ø34.9mm  
**Material** AL6061T6  
**Finish** Anodized color  
**Height** 13mm  
**Weight** 21g (ø34.9)



## CC-7168A

**Diameter** ø31.8, ø34.9mm, ø36.0  
**Material** AL6066T6 Full CNC  
**Finish** Anodized color  
**Height** 11mm  
**Weight** 9g (ø34.9/Ti bolt)  
 10.3g (ø34.9/Stainless bolt)



## CC-723

**Diameter** ø28.6, ø31.8, ø34.9mm  
**Material** AL6061T6  
**Finish** Anodized color  
**Height** 13mm  
**Weight** 24.8g (ø34.9)



## CC-735

**Diameter** ø31.8, ø34.9mm  
**Material** AL6061T6 Full CNC  
**Finish** Anodized color  
**Height** 12mm



## CC-901A

**Diameter** ø31.8, ø34.9mm  
**Material** AL6066T6 Full CNC  
**Finish** Anodized color  
**Height** 13mm  
**Weight** 13g (ø34.9/Ti bolt)  
 14.5g (ø34.9/Stainless bolt)



## CC-902A

**Diameter** ø31.8, ø34.9mm  
**Material** AL6061T6  
**Finish** Anodized color  
**Height** 13mm  
**Weight** 21g (ø34.9)



## CC-903B

**Diameter** ø31.8, ø34.9mm  
**Material** AL6061T6  
**Finish** Anodized color  
**Height** 13mm  
**Weight** 21g (ø34.9)



## CC-904A

**Diameter** ø31.8, ø34.9mm  
**Material** AL6066T6 Full CNC  
**Finish** Anodized color  
**Height** 13mm  
**Weight** 16g (ø31.8)  
 17g (ø34.9)



## CC-7168B

**Diameter** ø31.8, ø34.9mm, ø36.0  
**Material** AL6066T6 Full CNC  
**Finish** Anodized color  
**Height** 11mm  
**Weight** 9g (ø34.9/Ti bolt)  
 10.3g (ø34.9/Stainless bolt)



## CC-734

**Diameter** ø31.8, ø34.9mm, ø36.0  
**Material** AL6066T6 Full CNC  
**Finish** Anodized color  
**Height** 11mm  
**Weight** 9g (ø34.9/Ti bolt)  
 10.3g (ø34.9/Stainless bolt)

## Seat Post Locking



## CC-STOPPER

**Diameter** ø27.2, ø31.6mm  
**Material** AL6061T6  
**Finish** Anodized color  
**Height** 9mm  
**Weight** 7.1g (ø31.6)

## Adjustable Seatpost Cable Guide



## CC-315GE

**Diameter** ø28.6, ø31.8, ø34.9mm  
**Material** AL6061T6  
**Finish** Anodized color  
**Height** 13mm  
**Weight** 23g (ø31.8)

## CC-301GE

**Diameter** ø28.6, ø31.8, ø34.9mm  
**Material** AL6061T6  
**Finish** Anodized color  
**Height** 13mm  
**Weight** 37.3g (ø34.9)

## Clamp With LED



## CC-061AQR/LED

**Diameter** ø31.8, ø34.9, 36.0mm  
**Material** AL6061T6 Full CNC Lever Forged  
**Finish** Anodized color  
**Length** 13mm  
**LED/Run Time** 0.04W/90 hours  
**Battery Size** LR1130  
**Weight** 32.9g (ø31.8)



## CC-066A/LED

**Diameter** ø31.8, ø34.9, 36.0mm  
**Material** AL7075T6 Full CNC  
**Finish** Anodized color  
**Length** 13mm  
**LED/Run Time** 0.04W/90 hours  
**Battery Size** LR1130  
**Weight** 34g (ø34.9)



## CC-061A/LED

**Diameter** ø31.8, ø34.9, 36.0mm  
**Material** AL7075T6 Full CNC  
**Finish** Anodized color  
**Length** 13mm  
**LED/Run Time** 0.04W/90 hours  
**Battery Size** LR1130  
**Weight** 34g (ø34.9)

# SEAT CLAMP

SEAT CLAMP



**CC-300**

**Diameter** ø25.4, ø28.6, ø31.8, ø34.9mm  
**Material** AL6061T6  
**Finish** Anodized color  
**Height** 13mm  
**Weight** 37g (ø31.8)

**CC-302**

**Diameter** ø28.6, ø31.8, ø34.9mm  
**Material** AL6061T6  
**Finish** Anodized color  
**Height** 13mm  
**Weight** 40g (ø31.8)

**NEW**

**CC-303-1**

**Diameter** ø34.9, ø36.4mm  
**Material** AL6061T6 CNC  
**Finish** Anodized color  
**Height** 13mm

**CC-305**

**Diameter** ø28.6, ø31.8, ø34.9mm  
**Material** AL6061T6  
**Finish** Anodized color  
**Height** 13mm  
**Weight** 37.9g (ø31.8)

**CC-301**

**Diameter** ø25.4, ø28.6, ø31.8, ø34.9mm  
**Material** AL6061T6  
**Finish** Anodized color  
**Height** 13mm  
**Weight** 36.7g (ø31.8)

**CC-303**

**Diameter** ø31.8, ø34.9mm  
**Material** AL6061T6  
**Finish** Anodized color  
**Height** 16mm  
**Weight** 39.5g (ø34.9)

**CC-304**

**Diameter** ø28.6, ø31.8, ø34.9mm  
**Material** AL6061T6  
**Finish** Anodized color  
**Height** 26mm  
**Weight** 41g (ø34.9)

**CC-500**

**Diameter** ø28.6, ø31.8, ø34.9mm  
**Material** AL6061T6  
**Finish** Anodized color  
**Height** 13mm  
**Weight** 52.3g (ø34.9)

**CC-501**

**Diameter** ø28.6, ø31.8, ø34.9mm  
**Material** AL6061T6  
**Finish** Anodized color  
**Height** 13mm  
**Weight** 44.5g (ø31.8)

**CC-502**

**Diameter** ø28.6, ø31.8, ø34.9mm  
**Material** AL6061T6  
**Finish** Anodized color  
**Height** 13mm  
**Weight** 48.2g (ø31.8)

**CC-505**

**Diameter** ø28.6, ø31.8, ø34.9mm  
**Material** AL6061T6  
**Finish** Anodized color  
**Height** 15mm  
**Weight** 52.3g (ø34.9)

**CC-509**

**Diameter** ø28.6, ø31.8, ø34.9mm  
**Material** AL6061T6  
**Finish** Anodized color  
**Height** 25mm  
**Weight** 22.0g (ø34.9)

**CC-600C**

**Diameter** ø28.6, ø31.8, ø34.9mm  
**Material** AL6061T6  
**Finish** Carbon Sticker  
**Height** 13mm  
**Weight** 40g (ø31.8)

**CC-601**

**Diameter** ø28.6, ø31.8, ø34.9mm  
**Material** AL6061T6  
**Finish** Anodized color  
**Height** 15mm  
**Weight** 49.4g (ø28.6)

**CC-602**

**Diameter** ø28.6, ø31.8, ø34.9mm  
**Material** AL6061T6  
**Finish** Anodized color  
**Height** 15mm  
**Weight** 45.4g (ø34.9)

**NEW**

**CC-501-1**

**Diameter** ø31.8, ø34.9mm  
**Material** AL6061T6 CNC  
**Finish** Anodized color  
**Height** 13mm  
**Bolt** Cr-mo M6

**CC-503**

**Diameter** ø28.6, ø31.8, ø34.9mm  
**Material** AL6061T6  
**Finish** Anodized color  
**Height** 16mm  
**Weight** 44.9g (ø28.6)

**CC-507**

**Diameter** ø28.6, ø31.8, ø34.9mm  
**Material** AL6061T6  
**Finish** Anodized color  
**Height** 13mm  
**Weight** 48.5g (ø34.9)

**CC-600**

**Diameter** ø28.6, ø31.8, ø34.9mm  
**Material** AL6061T6  
**Finish** Anodized color  
**Height** 13mm  
**Weight** 40.8g (ø34.9)

**CC-600N**

**Diameter** ø28.6, ø31.8, ø34.9mm  
**Material** AL6061T6  
**Finish** Anodized color  
**Height** 13mm  
**Weight** 38.4g (ø34.9)

**CC-601N**

**Diameter** ø28.6, ø31.8, ø34.9mm  
**Material** AL6061T6  
**Finish** Anodized color  
**Height** 15mm  
**Weight** 40g (ø31.8)

**CC-605**

**Diameter** ø28.6, ø31.8, ø34.9mm  
**Material** AL6061T6  
**Finish** Anodized color  
**Height** 13.6mm  
**Weight** 38g (ø31.8)



# SEAT CLAMP



## CC-607

**Diameter** ø28.6, ø31.8, ø34.9mm  
**Material** AL6061T6 Forged  
**Finish** Anodized color  
**Height** 13.6mm  
**Weight** 39.8g (ø31.8)



## CC-609

**Diameter** ø28.6, ø31.8, ø34.9mm  
**Material** AL6061T6 Forged  
**Finish** Anodized color  
**Height** 13mm  
**Weight** 54g (ø34.9)



## CC-611

**Diameter** ø28.6, ø31.8, ø34.9mm  
**Material** AL6061T6 Lever Forged  
**Finish** Anodized color  
**Height** 13mm  
**Weight** 47g (ø34.9)



## CC-617

**Diameter** ø25.4, ø28.6, ø31.8, ø34.9mm  
**Material** AL6061T6 Lever NC  
**Finish** Anodized color  
**Height** 13mm  
**Weight** 40.6g (ø34.9)



## CC-618

**Diameter** ø28.6, ø31.8, ø34.9mm  
**Material** AL6061T6  
**Finish** Anodized color  
**Height** 13mm  
**Weight** 44.5g (ø34.9)



## CC-620

**Diameter** ø34.9mm  
**Material** AL6061T6 Forged  
**Finish** Anodized color  
**Height** 23mm  
**Weight** 30g (Stainless bolt)



## CC-622

**Diameter** ø31.8, ø34.9mm  
**Material** AL6061T6 Full CNC Lever Forged  
**Finish** Anodized color  
**Height** 13mm  
**Weight** 19.5g (ø31.8/Ti bolt)  
 21g (ø31.8/Stainless bolt)



## CC-608

**Diameter** ø28.6, ø31.8, ø34.9mm  
**Material** AL6061T6 Forged  
**Finish** Anodized color  
**Height** 13.6mm  
**Weight** 54.6g (31.8)



## CC-610

**Diameter** ø28.6, ø31.8, ø34.9mm  
**Material** AL6061T6  
**Finish** Anodized color  
**Height** 13mm  
**Weight** 38.2g (ø31.8)



## CC-616

**Diameter** ø28.6, ø31.8, ø34.9mm  
**Material** AL6061T6  
**Finish** Anodized color  
**Height** 13mm  
**Weight** 43g (ø34.9)



## CC-617N

**Diameter** ø25.4, ø28.6, ø31.8, ø34.9mm  
**Material** AL6061T6 Lever NC  
**Finish** Anodized color  
**Height** 13mm  
**Weight** 40.6g (ø34.9)



## CC-619

**Diameter** ø31.8mm  
**Material** AL6061T6 Lever NC  
**Finish** Anodized color  
**Height** 13mm  
**Weight** 35.5g (ø31.8)



## CC-621

**Diameter** ø31.8, ø34.9mm  
**Material** AL6066T6 Full CNC Lever Forged  
**Finish** Anodized color  
**Height** 13mm  
**Weight** 21.2g (ø34.9/Ti bolt)  
 22.8g (ø34.9/Stainless bolt)



## CC-700

**Diameter** ø28.6, ø31.8, ø34.9mm  
**Material** AL6061T6 Full CNC  
**Finish** Anodized color  
**Height** 15mm  
**Weight** 40.6g (ø31.8)



## CC-700-1

**Diameter** ø28.6, ø31.8, ø34.9mm  
**Material** AL6061T6 Full CNC  
**Finish** Anodized color  
**Height** 15mm  
**Weight** 35.6g (ø31.8)



## CC-711

**Diameter** ø28.6, ø31.8, ø34.9mm  
**Material** AL6061T6 CNC Lever Forged  
**Finish** Anodized color  
**Height** 17mm  
**Weight** 44.8g (ø28.6)



## CC-716

**Diameter** ø28.6, ø31.8, ø34.9mm  
**Material** AL6061T6 CNC  
**Finish** Anodized color  
**Height** 15mm  
**Weight** 35.8g (ø34.9)



## CC-718

**Diameter** ø28.6, ø31.8, ø34.9mm  
**Material** AL6061T6 CNC  
**Finish** Anodized color  
**Height** 26mm  
**Weight** 39.7g (ø34.9)



## CC-721

**Diameter** ø28.6, ø31.8, ø34.9mm  
**Material** AL6061T6 CNC  
**Finish** Anodized color  
**Height** 13mm  
**Weight** 35.8g (ø34.9)



## CC-736

**Diameter** ø28.6, ø31.8, ø34.9mm  
**Material** AL6061T6  
**Finish** Anodized color  
**Height** 26mm



## CC-740

**Diameter** ø31.8 + ø27.2mm , ø31.8 + ø28.6mm , ø34.9 + ø31.8mm  
**Material** AL6061T6 Full CNC  
**Finish** Anodized color  
**Height** 28mm



## CC-700-2

**Diameter** ø28.6, ø31.8, ø34.9mm  
**Material** AL6061T6 Full CNC  
**Finish** Anodized color  
**Height** 15mm  
**Weight** 38g (ø34.9)



## CC-715

**Diameter** ø31.8, ø34.9, ø36mm  
**Material** AL7075T6 CNC  
**Finish** Anodized color  
**Height** 13mm  
**Weight** 25g (ø31.8)



## CC-717

**Diameter** ø28.6, ø31.8, ø34.9mm  
**Material** AL6061T6 CNC  
**Finish** Anodized color  
**Height** 17mm  
**Weight** 37g (ø31.8)



## CC-719

**Diameter** ø28.6, ø31.8, ø34.9mm  
**Material** AL6061T6 CNC  
**Finish** Anodized color  
**Height** 13mm  
**Weight** 34.8g (ø34.9)



## CC-722

**Diameter** ø16mm  
**Material** AL6061T6  
**Finish** Anodized color  
**Height** 13mm  
**Weight** 11.2g



## CC-737

**Diameter** ø31.8 + ø27.2mm , ø31.8 + ø28.6mm , ø34.9 + ø31.8mm  
**Material** AL6061T6 Full CNC  
**Finish** Anodized color  
**Height** 28mm



## CC-741

**Diameter** ø28.6, ø31.8, ø34.9mm  
**Material** AL6061T6 CNC  
**Finish** Anodized color  
**Height** 15mm

# HANDLE BAR CAP



## CC-HP12

**OD** 16-20mm  
**Material** AL6061T6  
**Finish** Anodized color



## CC-HP13

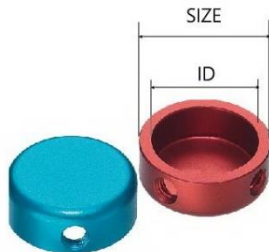
**OD** 16-20mm  
**Material** AL6061T6  
**Finish** Anodized color



P.A.T.

## CC-HP07

**OD** 16-20mm  
**Material** AL6061T6 CNC  
**Finish** Anodized color  
**Weight** 27.5g/PR



## CC-HP09

**ID** 22.2mm  
**Size** 22.2mm  
**Material** AL6061T6  
**Finish** Anodized color  
**Weight** 18g/PR



P.A.T.

## CC-HP08

**OD** 16-20mm  
**Material** AL6061T6 CNC  
**Finish** Anodized color  
**Led** 0.04W  
**Run time** 90 hours  
**Battery Size** LR1130  
**Weight** 30g/PR



P.A.T.

## CC-HP11

**OD** 16-20mm  
**Material** AL6061T6 CNC  
**Finish** Anodized color  
**Length** 40mm  
**Size** 22.2mm  
**Weight** 94.2g/PR



NEW

## CC-HP15

**OD** 19mm  
**Material** AL6061T6  
**Finish** Anodized color



NEW

## CC-HP16

**OD** 16-20mm  
**Material** AL6061T6  
**Finish** Anodized color

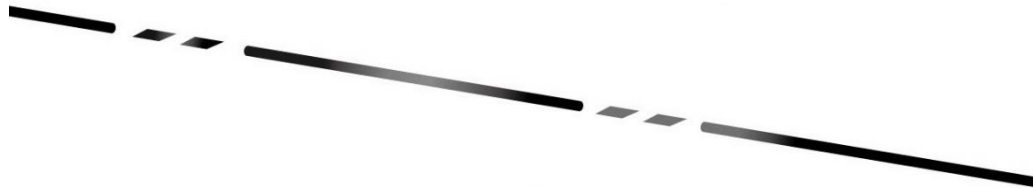


# STEM



## CC-RD7810

<b>Diameter</b>	28.6mm
<b>Bar Bore</b>	31.8mm
<b>Angle</b>	±6°
<b>Length</b>	38mm
<b>Ext.</b>	60-120mm
<b>Material</b>	3D Forged AL6061T6
<b>Finish</b>	AL+Carbon



## CC-RD7820

<b>Diameter</b>	28.6mm
<b>Angle</b>	±6°
<b>Ext.</b>	60/80/100/120mm
<b>Material</b>	AL6061T6 CNC
<b>Finish</b>	Anodized Color



## CC-DH705

<b>Bar Bore</b>	31.8 / 35mm
<b>Angle</b>	50mm, 0°
<b>Ext.</b>	50mm
<b>Material</b>	Full CNC-machined AL6061T6
<b>Finish</b>	Anodized Color



## CC-DH706

<b>Bar Bore</b>	31.8 / 35mm
<b>Angle</b>	47/55mm, 30°
<b>Ext.</b>	47/55mm
<b>Material</b>	Full CNC-machined AL6061T6
<b>Finish</b>	Anodized Color



## CC-DH707

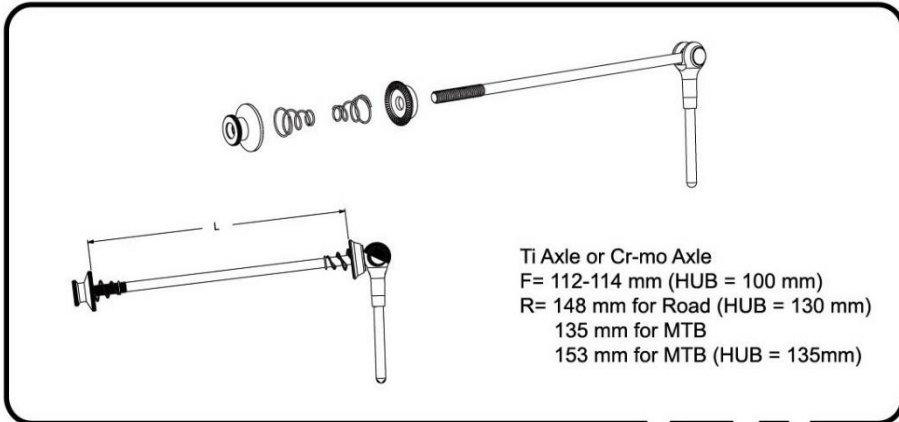
<b>Diameter</b>	28.6mm
<b>Bar Bore</b>	31.8/35mm
<b>Angle</b>	0°
<b>Length</b>	38mm
<b>Ext.</b>	50mm
<b>Material</b>	Full CNC-machined AL6061T6
<b>Finish</b>	Anodized Color



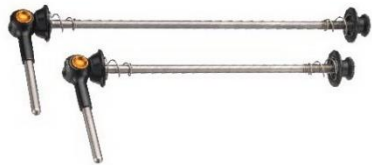
## CC-DH708

<b>Diameter</b>	28.6mm
<b>Bar Bore</b>	31.8/35mm
<b>Angle</b>	0°
<b>Length</b>	35mm
<b>Ext.</b>	40mm
<b>Material</b>	Full CNC-machined AL6061T6
<b>Finish</b>	Anodized Color

# QUICK RELEASE



Ti Axle or Cr-mo Axle  
 F= 112-114 mm (HUB = 100 mm)  
 R= 148 mm for Road (HUB = 130 mm)  
 135 mm for MTB  
 153 mm for MTB (HUB = 135mm)



## CC-QR708

**Material** Lever AL7075T6 CNC+Ti  
**Axle Options** Ti or Cr mo  
**Length** F: M5\*112-114mm  
 R: M5\*148/153mm  
**Weight** 44g/PRS (Ti Bolt)



## CC-QR709

**Material** Lever AL7075T6 CNC  
**Axle Options** Ti or Cr mo  
**Length** F: M5\*112-114mm  
 R: M5\*148/153mm  
**Weight** 44g/PRS (Ti Bolt)

NEW



## CC-QR710

**Material** AL7075T6+Carbon  
**Axle Options** Ti or Cr mo  
**Length** F: M5\*112-114mm  
 R: M5\*148/153mm  
**Weight** Ti Bolt 44g



## CC-QR701

**Material** Lever AL7075T6 CNC  
**Axle Options** Ti or Cr mo  
**Length** F: M5\*112-114mm  
 R: M5\*148/153mm  
**Weight** Ti Bolt 44g



## CC-QR702

**Material** Lever AL7075T6 CNC  
**Axle Options** Ti or Cr mo  
**Length** F: M5\*112-114mm  
 R: M5\*148/153mm  
**Weight** Ti Bolt 48.6g



## CC-QR704

**Material** Lever AL6066T6 Forged  
**Axle Options** Ti or Cr mo  
**Length** F: M5\*112-114mm  
 R: M5\*148/153mm  
**Weight** Ti Bolt 43g/PRS



## CC-QR705

**Material** Lever AL6066T6 Forged  
**Axle Options** Ti or Cr mo  
**Length** F: M5\*112-114mm  
 R: M5\*148/153mm  
**Weight** Ti Bolt 43g/PRS



## CC-QR706

**Material** Lever AL6061T6  
**Axle Options** Ti  
**Length** F: M5\*112-114mm  
 R: M5\*148/151mm  
**Weight** 130g/PRS



## CC-QR707

**Material** Lever AL7075T6 CNC  
**Axle Options** Ti or Cr mo  
**Length** F: M5\*112-114mm  
 R: M5\*148/153mm  
**Weight** 44g/PRS (Ti Bolt)



# QUICK RELEASE



## CC-QR803

**Material** Lever AL6061T6  
**Axle Options** Cr mo  
**Length** F: M5\*112-114mm  
 R: M5\*148/151mm  
**Weight** 130g/PRS



## CC-QR805

**Material** Lever AL6061T6  
**Axle Options** Cr mo  
**Length** F: M5\*112-114mm  
 R: M5\*148/151mm  
**Weight** 125g/PRS



## CC-QR806

**Material** Lever AL6061T6  
**Axle Options** Cr mo  
**Length** F: M5\*112-114mm  
 R: M5\*143/148/151mm  
**Weight** 105g/PRS



## CC-QR807

**Material** Lever AL6061T6 Forged  
**Axle Options** Cr mo  
**Length** F: M5\*112-114mm  
 R: M5\*143/148/151mm  
**Weight** 123g/PRS



## CC-QR808

**Material** Lever AL6061T6 Forged  
**Axle Options** Cr mo  
**Length** F: M5\*112-114mm  
 R: M5\*143/151mm  
**Weight** 120g/PRS



## CC-QR811

**Material** Lever AL6061T6  
**Axle Options** Cr mo  
**Length** F: M5\*112-114mm  
 R: M5\*143/148/151mm  
**Weight** 107g/PRS



## CC-QR812

**Material** Lever AL6061T6  
**Axle Options** Cr mo  
**Length** F: M5\*112-114mm  
 R: M5\*148/151mm  
**Weight** 103g/PRS



## CC-QR11/12

**Material** Lever AL6061T6  
**Axle Options** Cr mo  
**Length** F: M5\*112-114mm  
 R: M5\*153mm  
**Weight** 97.3g



## CC-10

**Material** AL6061T6  
**Axle Options** Cr mo  
**Diameter** M6/M8\*45/50/55/60mm  
**Weight** 33.4g (50mm)



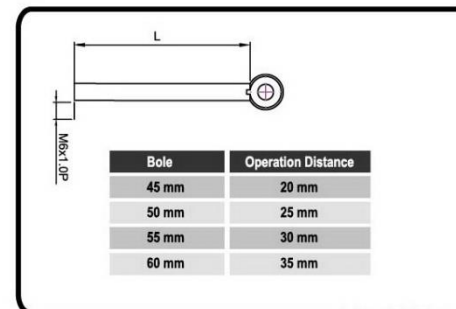
## CC-QR16

**Material** AL6061T6  
**Axle Options** Cr mo  
**Diameter** M6/M8\*45/50/55/60mm  
**Weight** 30.4g (45mm)



## CC-QR17

**Material** AL6061T6  
**Axle Options** Cr mo  
**Diameter** M6/M8\*45/50/55/60mm  
**Weight** 32.1g



## Free Style Hub Nut



## CC-HN01

**Material** AL7075T6  
**Diameter** M10\*P1.0 or 3/8" x 26T L: 15mm  
 M14\*P1.0 L: 20mm

# BAR ENDS



## CC-169

**Material** head dig casting: AL6061T6  
tube: AL6061T6  
**Length** 130mm  
**Finish** Anodized Color



## CC-169A

**Material** head dig casting: AL6061T6  
tube: AL6061T6  
**Length** 130mm  
**Finish** Anodized Color



## CC-169C

**Material** head dig casting: AL6061T6  
tube: AL6061T6  
**Finish** Carbon Sticker  
**Length** 130mm  
**Finish** Carbon Sticker



## CC-269

**Material** head dig casting: AL6061T6  
tube: AL6061T6  
**Length** 95mm  
**Finish** Anodized Color



## CC-369A

**Material** AL6061T6  
**Length** 80mm  
**Finish** Anodized Color



## CC-369C

**Material** head dig casting: AL6061T6  
tube: AL6061T6  
**Length** 80mm  
**Finish** Carbon Sticker



## CC-569C

**Material** AL6061T6  
**Length** 45mm  
**Finish** Carbon Sticker



## CC-AC23

**Material** AL6061T6 + Carbon  
**Length** 85mm  
**Weight** 69g



## CC-AC32

**Material** AL6061T6 + Carbon  
**Length** 110mm  
**Weight** 140g



## CC-EB09

**Material** AL6061T6 3D Forged  
**Finish** Sand Anodized Color  
**Length** 210mm  
**Weight** 133g



## CC-EB10

**Material** AL6061T6 3D Forged  
Full CNC-machined  
**Finish** Sand Anodized Color  
**Length** 110mm  
**Weight** 93g



## CC-EB12

**Material** AL6061T6 3D  
Forged-One-Piece  
**Finish** Sand Anodized Color  
**Length** 110mm  
**Weight** 155g



## CC-EB12C

**Material** AL6061T6 3D  
Forged-One-Piece  
**Finish** Carbon Sticker  
**Length** 110mm  
**Weight** 165g



## CC-EB12S

**Material** AL6061T6 3D  
Forged-One-Piece  
**Finish** Sand Anodized Color  
**Length** 60mm  
**Weight** 121g



## CC-EB23

**Material** AL6061T6 3D  
Forged Full CNC-machined  
**Finish** Anodized Color  
**Length** 85mm  
**Weight** 58g/PR



# BAR ENDS



## CC-EB23

**Material** AL6061T6 3D Forged Full CNC-machined  
**Finish** Anodized Color  
**Length** 85mm  
**Weight** 65g/PR



## CC-EB23PC

**Material** AL6061T6 3D Forged Full CNC-machined  
**Finish** Powder Coated  
**Length** 85mm  
**Weight** 70g/PR



## CC-EB28

**Material** AL6061T6 3D Forged  
**Finish** Sand Anodized Color  
**Length** 85mm  
**Weight** 130g



## CC-EB29

**Material** AL6061T6 3D Forged  
**Finish** Sand Anodized Color  
**Length** 145mm  
**Weight** 135g



## CC-EB23-1

**Material** AL6061T6 3D Forged  
**Finish** Sand Anodized Color  
**Length** 85mm  
**Weight** 76g/PR



## CC-EB23-1A

**Material** AL6061T6 3D Forged  
**Finish** Sand Anodized Color  
**Length** 85mm  
**Weight** 76g/PR



## CC-EB30

**Material** AL6061T6 3D Forged  
**Finish** Sand Anodized Color  
**Length** 130mm  
**Weight** 140g



## CC-EB31

**Material** AL6061T6 3D Forged  
**Finish** Sand Anodized Color  
**Length** 110mm  
**Weight** 115g



## CC-EB24

**Material** AL6061T6 3D Forged Full CNC-machined  
**Finish** Anodized Color  
**Length** 85mm  
**Weight** 59g/PR



## CC-EB24S

**Material** AL6061T6 3D Forged  
**Finish** Sand Anodized Color  
**Length** 45mm  
**Weight** 50.6g/PR



## CC-EB32

**Material** AL6061T6 3D Forged  
**Finish** Sand Anodized Color  
**Length** 110mm  
**Weight** 130g



## CC-EB33

**Material** AL6061T6 3D Forged  
**Finish** Sand Anodized Color  
**Length** 110mm  
**Weight** 155g



## CC-EB25/22.2

**Material** AL6061T6 3D Forged Full CNC-machined  
**Finish** Anodized Color  
**Length** 75mm  
**Weight** 70g/PR  
**OD** 22.2mm



## CC-EB25/25.4

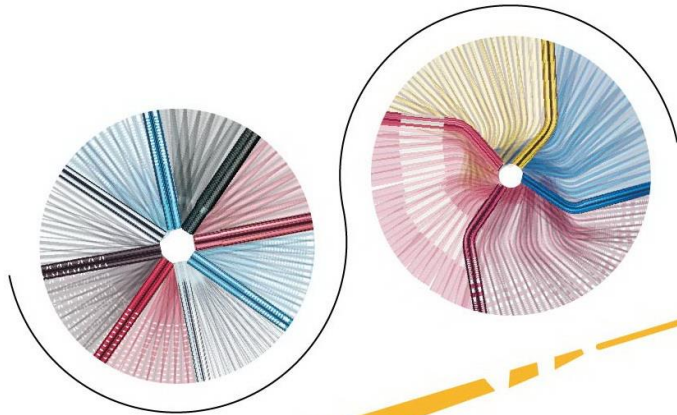
**Material** AL6061T6 3D Forged Full CNC-machined  
**Finish** Anodized Color  
**Length** 75mm  
**Weight** 75g/PR  
**OD** 25.4mm



## CC-EB34

**Material** AL6061T6 3D Forged  
**Finish** Sand Anodized Color  
**Length** 110mm  
**Weight** 170g

# SEAT POST



## CC-109A

**Diameter** 27.2, 30.9, 31.6mm  
**Material** AL7075T6 CNC machined with Tibolt or Cr-mo  
**Finish** Anodized color  
**Length** 350, 410mm  
**Weight** 217g (27.2 x 410-Ti mm)



## CC-109CA

**Diameter** 27.2, 30.9, 31.6mm  
**Material** Carbon Fiber With Tibolt  
**Finish** Anodized color  
**Length** 300, 350, 400mm  
**Weight** 142.8g (27.2 x 300-Ti mm)



## CC-201CA

**Diameter** 27.2mm  
**Material** AL6061T6 Forged  
**Finish** Anodized color  
**Length** 300, 350, 400mm



## CC-106A

**Diameter** 25.4, 27.2, 28.6mm  
**Material** AL6061T6 Die Casting/Forged  
**Finish** Anodized color  
**Length** 300-350mm



## CC-106B

**Diameter** 25.4, 27.2mm  
**Material** AL6061T6 CNC machined/ Forged  
**Finish** Anodized color  
**Length** 300-350mm



## CC-106C

**Diameter** 25.4, 27.2mm  
**Material** AL6061T6 CNC machined/ Forged  
**Finish** Anodized color  
**Length** 300-350mm



## CC-106D

**Diameter** 25.4, 27.2mm  
**Material** AL6061T6 CNC machined/ Forged  
**Finish** Anodized color  
**Length** 300-350mm



## CC-102A

**Diameter** 22.2, 25.4, 26.8, 27.2mm  
**Material** AL6061T6  
**Finish** Anodized color  
**Length** 200, 250, 300, 350mm



# SEAT POST



## CC-105A

**Diameter** 25.4, 27.2, 28.6mm  
**Material** AL6061T6  
**Finish** Anodized color  
**Length** 300-350mm



## CC-105C

**Diameter** 25.4, 27.2, 28.6mm  
**Material** AL6061T6  
**Finish** Carbon Sticker  
**Length** 300-350mm



## CC-101C

**Diameter** 22.2mm  
**Material** AL6061T6  
**Finish** Anodized color  
**Length** 300-350mm



## CC-101CT

**Diameter** 22.2mm  
**Material** AL6061T6 CNC  
**Finish** Anodized color  
**Length** 400-500mm



## CC-106AC

**Diameter** 25.4, 27.2, 28.6mm  
**Material** AL6061T6 Die Casting/ Forged  
**Finish** Carbon Sticker  
**Length** 300-350mm



## CC-110A

**Diameter** 25.4mm  
**Material** AL6061T6 Die Casting/ Forged  
**Finish** Anodized Color  
**Length** 200-350mm



## CC-101CT-1

**Diameter** 22.2mm  
**Material** AL6061T6 CNC  
**Finish** Anodized color  
**Length** 400-500mm



## CC-101CT-2

**Diameter** 22.2mm  
**Material** AL6061T6 CNC  
**Finish** Anodized color  
**Length** 400-500mm



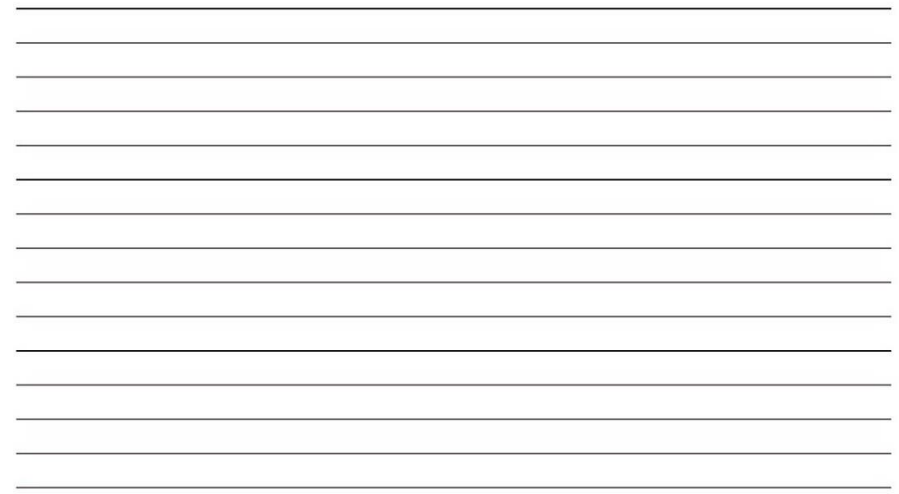
## CC-SLEEVE

**Diameter** As Order  
**Material** AL6061T6  
**Finish** As Order  
**Length** As Order



## CC-SHIM

**Diameter** As Order  
**Material** AL6061T6  
**Finish** As Order  
**Length** As Order



# SEAT POST

SEAT POST



## CC-101D

**Diameter** 22.2mm  
**Material** AL6061T6  
**Finish** Anodized color  
**Length** 300-500mm



## CC-101DT

**Diameter** 22.2mm  
**Material** AL6061T6 CNC  
**Finish** Anodized color  
**Length** 400-500mm



## CC-101B-1

**Diameter** 22.2mm  
**Material** AL6061T6 CNC  
**Finish** Anodized color  
**Length** 400-500mm



## CC-101B-2

**Diameter** 22.2mm  
**Material** AL6061T6 CNC  
**Finish** Anodized color  
**Length** 400-500mm



## CC-101DT-1

**Diameter** 22.2mm  
**Material** AL6061T6  
**Finish** Anodized color  
**Length** 400-500mm



## CC-101A

**Diameter** 22.2mm  
**Material** AL6061T6  
**Finish** Anodized color  
**Length** 300-500mm



## CC-103C

**Diameter** 25.4mm  
**Material** AL6061T6  
**Finish** Anodized color  
**Length** 350-500mm



## CC-103CT

**Diameter** 25.4mm  
**Material** AL6061T6  
**Finish** Anodized color  
**Length** 400-500mm



## CC-101AT

**Diameter** 22.2mm  
**Material** AL6061T6 CNC  
**Finish** Anodized color  
**Length** 300-500mm



## CC-101B

**Diameter** 22.2mm  
**Material** AL6061T6 CNC  
**Finish** Anodized color  
**Length** 400-500mm



## CC-103A

**Diameter** 25.4mm  
**Material** AL6061T6  
**Finish** Anodized color  
**Length** 300-500mm

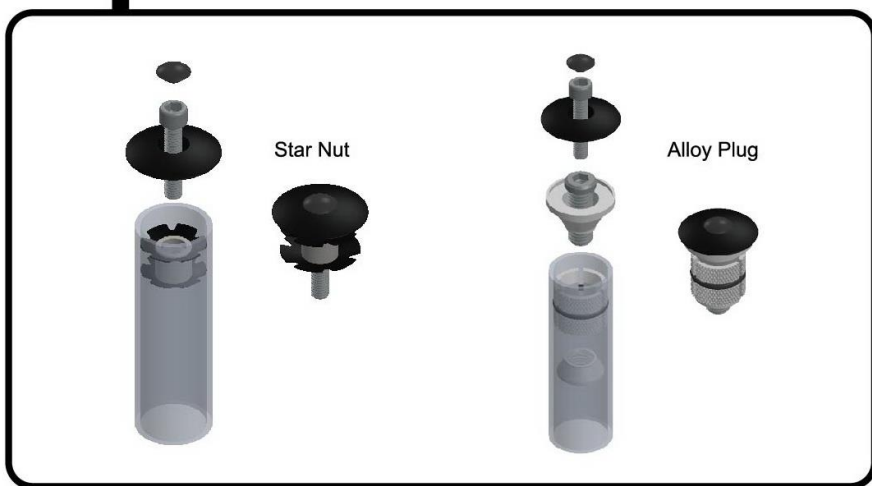


## CC-103B

**Diameter** 25.4mm  
**Material** AL6061T6 CNC  
**Finish** Anodized color  
**Length** 400-500mm



# TOP CAP



### CC-SP01A

**Material** AL6061T6



### CC-SP02C

**Material** AL6061T6  
**Weight** 7.8g



### CC-SP01

**Star Nut**  
**Material** AL6061T6  
**Finish** Anodized Color  
**Size** 1" / 1-1 / 8"  
**Bolt** Stainless or Cr-mo  
**Weight** 26g



### CC-SP03

**Alloy Plug**  
**Material** AL6061T6  
**Finish** Anodized Color  
**OD** 22-26mm  
**Length** 18/32/52  
**Weight** 41g



### CC-SP02

**Star Nut**  
**Material** AL6061T6  
**Finish** Carbon Sticker  
**Size** 1" / 1-1 / 8"  
**Bolt** Stainless or Cr-mo  
**Weight** 27g



### CC-SP13

**Star Nut**  
**Material** AL6061T6  
**Finish** Anodized Color  
**Size** 1" / 1-1 / 8"  
**Bolt** Stainless or Cr-mo  
**Weight** 21g



### CC-SP15

**Star Nut**  
**Material** AL6061T6  
**Finish** Anodized Color  
**Size** 1" / 1-1 / 8"  
**Bolt** Stainless or Cr-mo  
**Weight** 26.5g



### CC-SP17

**Star Nut**  
**Material** AL6061T6  
**Finish** Anodized Color  
**Size** 1" / 1-1 / 8"  
**Bolt** Stainless or Cr-mo  
**Weight** 24g



### CC-SP10

**Star Nut**  
**Material** AL6061T6  
**Finish** Anodized Color  
**Size** 1-1 / 8"  
**Bolt** Cr-mo  
**Diameter** M10 x P1.25

P.A.T.



### CC-SP04

**Alloy Plug**  
**Material** AL6061T6  
**Finish** Cap Carbon  
**OD** 22-26mm  
**Length** 18/32/52  
**Weight** 45.5g



### CC-SP14

**Alloy Plug**  
**Material** AL6061T6  
**Finish** Anodized Color  
**OD** 22-26mm  
**Length** 18/32/52  
**Weight** 36g



### CC-SP16

**Alloy Plug**  
**Material** AL6061T6  
**Finish** Anodized Color  
**OD** 22-26mm  
**Length** 18/32/52  
**Weight** 41.5g (18mm)



### CC-SP18

**Alloy Plug**  
**Material** AL6061T6  
**Finish** Anodized Color  
**OD** 22-26mm  
**Length** 18/32/52  
**Weight** 50.5g

SEAT CLAMP

# TOP CAP

SEAT CLAMP



## CC-SP19

### Star Nut

**Material** AL6061T6  
**Finish** Anodized Color  
**Size** 1" / 1-1 / 8"  
**Bolt** Stainless or Cr-mo  
**Weight** 26g



## CC-SP20

### Alloy Plug

**Material** AL6061T6  
**Finish** Anodized Color  
**OD** 22-26mm  
**Length** 18/32/52  
**Weight** 50g (32mm)



## CC-SP30

**Material** AL7075T6



## CC-SP23

### Star Nut

**Material** AL6061T6  
**Finish** Anodized Color  
**Size** 1" / 1-1 / 8"  
**Bolt** Stainless or Cr-mo  
**OD** Ø32  
**Weight** 22g (34mm)



## CC-SP24

### Alloy Plug

**Material** AL6061T6  
**Finish** Anodized Color  
**OD** 22-26mm  
**Length** 18/32/52  
**Weight** 39.5g (18mm)



## CC-SP2006

**OD** 36mm  
**SIZE** 22mm  
**Bolt** M14 Cr-mo



## CC-SP23-32

### Star Nut

**Material** AL6061T6  
**Finish** Anodized Color  
**Size** 1" / 1-1 / 8"  
**Bolt** Stainless or Cr-mo  
**OD** Ø32, Ø34, Ø46  
**Weight** 25g (34mm)



## CC-SP24-32

### Alloy Plug

**Material** AL6061T6  
**Finish** Anodized Color  
**OD** 22-26mm  
**Length** 18/32/52



## CC-SP25

### Star Nut

**Material** AL6061T6  
**Finish** Anodized Color  
**Size** 1" / 1-1 / 8"  
**Bolt** Stainless or Cr-mo  
**Weight** 25g



## CC-SP26

### Alloy Plug

**Material** AL6061T6  
**Finish** Anodized Color  
**OD** 22-26mm  
**Length** 18/32/52



## CC-SP23C-32

### Star Nut

**Material** AL6061T6  
**Finish** Anodized Color  
**Size** 1" / 1-1 / 8"  
**Bolt** Stainless or Cr-mo  
**OD** Ø32, Ø34, Ø46



## CC-SP24C-32

### Alloy Plug

**Material** AL6061T6  
**Finish** Anodized Color  
**OD** 22-26mm  
**Length** 18/32/52





# HANDLE BAR



## CC-RH701AC

<b>Center</b>	31.8mm
<b>Material</b>	AL6061T6 DB+ Carbon
<b>Width</b>	400/420/440 mm
<b>Weight</b>	315g



## CC-RH3KAC

<b>Center</b>	31.8mm
<b>Material</b>	AL6061T6 TRI-BUTTED
<b>Width</b>	400/420/440 mm
<b>Weight</b>	300g



## CC-08

<b>Center</b>	22.2mm
<b>Material</b>	AL6061T6
<b>Finish</b>	Anodized Color
<b>Width</b>	190-310 mm



## CC-09

<b>Center</b>	22.2mm
<b>Material</b>	Steel
<b>Finish</b>	Anodized Color
<b>Width</b>	190-310mm



## CC-09-1

<b>Center</b>	22.2mm
<b>Material</b>	AL 6061T6
<b>Finish</b>	Anodized Color
<b>Width</b>	190-310mm



## CC-H04-8

<b>Material</b>	AL 6061T6
<b>Finish</b>	Anodized Color
<b>OD</b>	34mm
<b>ID</b>	22.3x26.5 mm
<b>Length</b>	8mm



## CC-H02-10

<b>Material</b>	AL 6061T6
<b>Finish</b>	Anodized Color
<b>OD</b>	34mm
<b>ID</b>	27mm
<b>Length</b>	10mm

# HANDLE BAR

Down Hill / Free Ride / XC Series



## CC-MTB215A

For XC Low-Rider Bar

<b>Material</b>	AL6061T6 Butted	<b>Material</b>	AL6061T6 Butted
<b>Center</b>	25.4mm	<b>Center</b>	31.8mm
<b>Rise</b>	18°	<b>Rise</b>	20°
<b>Width</b>	620/640mm	<b>Width</b>	630/660mm
<b>Bend</b>	6°	<b>Bend</b>	6°
<b>Upsweep</b>	3°	<b>Upsweep</b>	3°
<b>Weight</b>	280g (620mm)	<b>Weight</b>	270g (630mm)



## CC-MTB200AC

For XC Carbon Bar

<b>Material</b>	AL6061T6 DB+ Carbon
<b>Center</b>	25.4/31.8mm
<b>Rise</b>	20°
<b>Width</b>	620/660mm
<b>Weight</b>	175g (25.4x620mm) 205g (31.8x620mm)



## CC-MTB200C

For XC Full Carbon Bar

<b>Material</b>	Full Carbon
<b>Center</b>	25.4/31.8mm
<b>Rise</b>	20°
<b>Width</b>	700mm
<b>Bend</b>	9°
<b>Weight</b>	170g

# Stem Adjuster



## CC-ST52

<b>Material</b>	AL6061T6
<b>Base Dia</b>	28.6mm
<b>Hight</b>	100

8mm Spacer\*1

## CC-STH1

<b>Material</b>	AL6061T6
<b>Base Dia</b>	28.6mm
<b>Hight</b>	117

8mm Spacer\*1  
5mm Spacer\*4

HANDLE BAR



# CHAIN TENSIONER



## CC-CA02

**Material** AL6061T6  
**OD** 6mm or 10mm  
**Finish** Anodized Color



## CC-CA04

**Material** AL6061T6  
**OD** 10mm or 14mm  
**Finish** Anodized Color



## CC-CA05

**Material** AL6061T6  
**OD** 10mm or 14mm  
**Finish** Anodized Color



## CC-CAB01

**Material** AL6061T6  
**Weight** 0.6g



## CC-FH01

**ID** 28.6mm  
**Length** 34mm  
**Material** AL6061T6 CNC  
**Finish** Anodized Color



## CC-FH02

**ID** 25.4/28.6mm  
**Material** AL6061T6  
**Finish** Anodized Color



## CC-VT90

**Material** Alloy or Stainless  
**Rise** 90°



## CC-414E PVC Guide

**Material** PVC  
**Finish** Black  
**Bolt** M4 & M5



## CC-VT130

**Material** Alloy or Stainless  
**Rise** 135°



## CC-VT01

**Material** Stainless

Infinite And Easy Adjustable



# CHAINRING



**CC-FS30T**  
Front Chainwheel  
Narrow Wide Tooth

<b>Material</b>	Alloy 7075T6 CNC
<b>Thickness</b>	8mm
<b>CBD</b>	104mm



**CC-FS32T**  
Front Chainwheel  
Narrow Wide Tooth

<b>Material</b>	Alloy 7075T6 CNC
<b>Thickness</b>	4.2mm
<b>BCD</b>	104mm
<b>Teeth</b>	32T-38T

**CC-RS42T**  
**+ STEEL 16T**  
Rear Sprockets  
Fits Shimano Only

<b>Material</b>	Alloy 7075T6 CNC
<b>Thickness</b>	4mm
<b>BCD</b>	104mm
<b>Teeth</b>	40T/42T



15T & 17T / Take Away



11T 13T +16T 19T/21T/24T 28T/32T/36T +42T



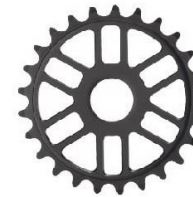
**CC-ST01**

<b>Material</b>	Full CNC AL7075 or AL6061T6
<b>Thickness</b>	5mm / 6mm
<b>Teeth</b>	23T-39T



**CC-ST03**

<b>Material</b>	Full CNC AL7075 or AL6061T6
<b>Thickness</b>	5mm / 6mm
<b>Teeth</b>	23T-39T



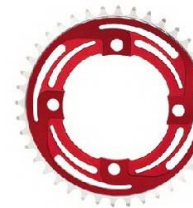
**CC-ST12**

<b>Material</b>	Full CNC AL7075 or AL6061T6
<b>Thickness</b>	5mm / 6mm
<b>Teeth</b>	23T-39T



**CC-ST13**

<b>Material</b>	Full CNC AL7075 or AL6061T6
<b>Thickness</b>	5mm / 6mm
<b>Teeth</b>	23T-39T



**CC-CH 36T-53T**

<b>Material</b>	Full CNC AL6061T6
<b>Thickness</b>	4.4mm
<b>Teeth</b>	36T-53T
<b>BCD</b>	104mm



**CC-FR01**

<b>Thickness</b>	6mm
<b>Teeth</b>	16T-19T
<b>BC</b>	1.37-24TP



**CC-CHA 36T-53T**  
For Single Speed

<b>Material</b>	Full CNC AL6061T6
<b>Thickness</b>	4mm
<b>Teeth</b>	36T-53T
<b>BCD</b>	130mm



**CC-FR02**

<b>Thickness</b>	5mm
<b>Teeth</b>	16T-19T
<b>BC</b>	1.37-24TP



# SPACER



## Carbon Spacer



### CC-AL003

<b>Material</b>	3K Carbon Fiber
<b>OD</b>	32/35mm
<b>ID</b>	25.6/28.8mm
<b>Length</b>	3/5/8/10/15/20/25/30mm



### CC-AL003-45

<b>Material</b>	3K Carbon Fiber
<b>OD</b>	45mm
<b>ID</b>	31.8mm
<b>Length</b>	5/8/10/15/20/25/30mm



### CC-AL006

<b>Material</b>	3K Carbon Fiber
<b>OD</b>	46mm
<b>ID</b>	28.8mm
<b>Length</b>	10/20/25/30/35/40mm



### CC-AL009C

<b>Material</b>	3K Carbon Fiber
<b>OD</b>	35mm
<b>ID</b>	28.8mm
<b>Length</b>	5/10/15/20mm

## Alloy Spacer



### CC-AL001

<b>Material</b>	AL6061T6
<b>Finish</b>	Anodized Color
<b>OD</b>	30,32 / 33,34,35,36mm
<b>ID</b>	25.6 / 28.8mm
<b>Length</b>	2/3/5/8/10/15/20mm



### CC-AL002

<b>Material</b>	AL6061T6
<b>Finish</b>	Anodized Color
<b>OD</b>	30/35mm
<b>ID</b>	25.6/28.8mm
<b>Length</b>	2/3/5/8/10/15/20mm



### CC-AL004

<b>Material</b>	AL6061T6
<b>Finish</b>	Anodized Color
<b>OD</b>	35mm
<b>ID</b>	28.8mm
<b>Length</b>	2/3/5/8/10/15/20mm



### CC-AL005

<b>Material</b>	AL6061T6
<b>Finish</b>	Anodized Color
<b>OD</b>	35mm
<b>ID</b>	25.6/28.8mm
<b>Length</b>	2/3/5/8/10/15/20mm



### CC-AL005NC

<b>Material</b>	AL6061T6
<b>Finish</b>	Anodized Color
<b>OD</b>	35mm
<b>ID</b>	28.8mm
<b>Length</b>	2/3/5/8/10/15/20mm



### CC-AL007

<b>Material</b>	AL6061T6
<b>Finish</b>	Anodized Color
<b>OD</b>	35mm
<b>ID</b>	28.8mm
<b>Length</b>	2/3/5/8/10/15/20mm



### CC-AL008

<b>Material</b>	AL6061T6
<b>Finish</b>	Anodized Color
<b>OD</b>	35mm
<b>ID</b>	28.8mm
<b>Length</b>	2/3/5/8/10/15/20mm



### CC-AL009

<b>Material</b>	AL6061T6
<b>Finish</b>	Anodized Color
<b>OD</b>	34mm
<b>ID</b>	28.8mm
<b>Length</b>	2/3/5/8/10/15/20mm



### CC-AL010

<b>Material</b>	AL6061T6
<b>Finish</b>	Anodized Color
<b>OD</b>	35mm
<b>ID</b>	28.8mm
<b>Length</b>	2/3/5/8/10/15/20mm



### CC-AL001-445

<b>Material</b>	AL6061T6
<b>Finish</b>	Anodized Color
<b>OD</b>	44.5mm
<b>ID</b>	38.1mm
<b>Length</b>	5/10/15/20mm

# VALVE CAP



**CC-001**  
**Material** AL6061T6  
**Finish** Anodized Color



**CC-003**  
**FOR AV**  
**Material** AL6061T6  
**Finish** Anodized Color



**CC-005**  
**FOR AV**  
**Material** AL6061T6  
**Finish** Anodized Color



**CC-007**  
**FOR AV**  
**Material** AL6061T6  
**Finish** Anodized Color



**CC-009**  
**FOR AV**  
**Material** AL6061T6  
**Finish** Anodized Color



**CC-011**  
**FOR FV**  
**Material** AL6061T6  
**Finish** Anodized Color



**CC-002**  
**FOR AV**  
**Material** AL6061T6  
**Finish** Anodized Color



**CC-004**  
**FOR AV**  
**Material** AL6061T6  
**Finish** Anodized Color



**CC-006**  
**FOR AV**  
**Material** AL6061T6  
**Finish** Anodized Color



**CC-008**  
**FOR AV**  
**Material** AL6061T6  
**Finish** Anodized Color



**CC-010**  
**FOR AV**  
**Material** AL6061T6  
**Finish** Anodized Color



**CC-012**  
**FOR AV+FV**  
**Material** AL6061T6  
**Finish** Anodized Color  
**Length** 18mm



**CC-013**  
**FOR FV**  
**Material** AL6061T6  
**Finish** Anodized Color



**CC-015**  
**Material** AL6061T6  
**Finish** Anodized Color  
**Length** 40/55mm



**CC-016/CC-016-1**  
**Material** Copper OR AL6061T6  
**Finish** Anodized Color  
**Length** 40/55mm



**CC-018**  
**FOR AV**  
**Material** AL6061T6  
**Finish** Anodized Color



**CC-020**  
**Material** AL6061T6  
**Finish** Anodized Color  
**Length** 30/40/50mm  
 60/80/100mm



**CC-022**  
**FOR FV**  
**Material** AL6061T6  
**Finish** Anodized Color



**CC-CS38S**  
**Material** AL6061T6  
**Finish** Anodized Color

Bolt For Derailleur



**CC-014**  
**FOR AV or FV**  
**Material** AL6061T6  
**Finish** Anodized Color



**CC-015-A**  
**Material** AL6061T6  
**Finish** Anodized Color  
**Length** 40/55mm



**CC-017**  
**FOR FV**  
**Material** AL6061T6  
**Finish** Anodized Color



**CC-019**  
**Material** AL6061T6  
**Finish** Anodized Color



**CC-021**  
**FOR FV**  
**Material** AL6061T6  
**Finish** Anodized Color



**CC-030**  
**Outer Thread**  
**Material** AL6061T6  
**Finish** Anodized Color  
**Length** 40/50/60/80mm

# FRONT DERAILLEUR CLAMP



## CC-FD01

**Material** AL6061T6  
**Finish** Anodized Color  
**Diameter** Ø31.8, Ø34.9mm  
**Weight** 27g (Ø34.9)  
 33g (Ø31.8)



## CC-FD01 AC

**Material** AL6061T6  
**Finish** AL+Carbon  
**Diameter** Ø31.8, Ø34.9mm  
**Weight** 31g



## CC-FD02

**Material** AL6061T6  
**Finish** Anodized Color  
**Diameter** Ø31.8, Ø34.9mm  
**Weight** 20.5g (Ø31.8)



## CC-FD03

**Material** AL6061T6  
**Finish** Anodized Color  
**Diameter** Ø28.6, Ø31.8, Ø34.9mm  
**Weight** 29.5g (Ø31.8)



## CC-FD04

**Material** AL6061T6 Forged  
**Finish** Anodized Color  
**Diameter** Ø28.6, Ø34.9mm



## CC-FD05

**Material** AL6061T6  
**Finish** Anodized Color  
**Diameter** Ø31.8, Ø34.9mm



## CC-FD06

**Material** AL6061T6  
**Finish** Anodized Color  
**Diameter** Ø28.6, Ø31.8, Ø34.9mm



## CC-FD07-2

**Material** AL6061T6  
**Finish** Anodized Color  
**Diameter** Ø28.6, Ø31.8, Ø34.9mm



## CC-FD08

For Dahon Birdy

**Material** AL6061T6  
**Finish** Anodized Color  
**Diameter** Ø40, Ø41.5mm



## CC-MT87AFB

**Material** AL6061T6 CNC  
**Finish** Anodized Color



## CC-HD01

**Material** AL6061T6 CNC Forged  
**Finish** Anodized Color



## CC-FD09

Direct Mount Adapter Clamp

**Material** AL6061T6 CNC  
**Finish** Anodized Color  
**Diameter** Ø34.9mm  
 Ø31.8mm SHIM\*2PCS

BB Type	BB Shell Width	Dimension Between BB Center & M6 Center
Threaded	68 mm	8
	73 mm	10.5
	83 mm	8
Pressfit	89.5 mm	18.75
	92 mm	21.25



# PULLY



## CC-RD11

**Material** AL7075T6 CNC  
**Finish** Anodized color  
**Weight** 9.5g  
**Teeth** 10T, 11T, 16T



## CC-RD12

**Material** AL7075T6 CNC  
**Finish** Anodized color  
**Weight** 9g  
**Teeth** 10T, 11T, 16T



## CC-RD13

**Material** AL7075T6 CNC  
**Finish** Anodized color  
**Weight** 11.2g  
**Teeth** 10T, 11T, 16T



## CC-RD13-1

**Material** AL7075T6 CNC  
**Finish** Anodized color  
**Bolt** M4  
**Teeth** 10T, 11T, 16T



## CC-RD14

**Material** AL7075T6 CNC  
**Finish** Anodized color  
**Weight** 14.5g  
**Teeth** 10T, 11T, 16T



## CC-RD15

**Material** AL7075T6 CNC  
**Finish** Anodized color  
**Teeth** 10T, 11T, 16T



## CC-RD15-PO

**Material** Plastic  
**Finish** Anodized color  
**Teeth** 10T, 11T, 16T



## CC-RD16

**Material** AL7075T6 CNC  
**Finish** Anodized color  
**Teeth** 10T



## CC-RD17

**Material** AL7075T6 CNC  
**Finish** Anodized color  
**Teeth** 10T, 11T, 16T



## CC-RD18

**Material** AL7075T6 CNC  
**Finish** Anodized color  
**Teeth** 10T, 11T, 16T

## Pully Bolt



## CC-PB01

**Material** AL7075T6  
**Diameter** M5x15

## Chain Bolt



## CC-CKB01

**Material** AL6066T6  
**Finish** Anodized color  
**Length** M8-0.75x6.5L For Road  
 M8-0.75x8.5L For MTB



## CC-CKB02

**Material** AL6066T6  
**Finish** Anodized color  
**Length** M8-0.75x6.5L For Road  
 M8-0.75x8.5L For MTB



## CC-CKB03

**Material** AL6066T6  
**Finish** Anodized color  
**Length** M8-0.75x10L For SRAM  
 M10-0.75x6.0L For SRAM



## CC-CKB04

**Material** AL6066T6  
**Finish** Anodized color  
**Length** M8-0.75x6.5L For Road  
 M8-0.75x8.5L For MTB

## Crank Bolt



## CC-CHB01

For SHIMANO Road

**Material** AL7075T6  
**Finish** Anodized color  
**Length** M20-24.7x10.7L



## CC-CHB01-1

For SHIMANO Road

**Material** AL7075T6  
**Finish** Anodized color  
**Length** M20-24.7x10.7L



## CC-CHB02

For SRAM MTB

**Material** AL7075T6  
**Finish** Anodized color  
**Length** M15-25.8x12.8L



## CC-CHB03

For SHIMANO MTB

**Material** AL7075T6  
**Finish** Anodized color  
**Length** M20-28x9.0L

# PULLY CAGE



## CC-PC01 / CC-PC01C For Road

**Pully** 16T/11T Combination  
**Material** AL7075T6  
**Finish** Anodized color  
**Bearings** Japanese or Ceramic



## CC-PC03 / CC-PC03C For SRAM

**Pully** 16T/11T Combination  
**Material** AL7075T6  
**Finish** Anodized color  
**Bearings** Japanese or Ceramic



## CC-MT111

18 FUNCTION

- Hex key** 2/2.5/3/4/5/6/8mm
- Torx** T25
- Phillips** #2 & flat Screwdrive, Phillips & flat glasses drive
- Wrench** 8/10mm
- Spoke tool** 14/15g ,chain tool, Tire lever, tufo valve key



## CC-MT112

18 FUNCTION

- Hex key** 2/2.5/3/4/5/6/8mm
- Torx** T25
- Phillips** #2 & flat Screwdrive
- Wrench** 8/10mm
- Spoke tool** 14/15g ,0.136"/0.156", chain tool, Tire lever,tufo valve key



## CC-MT1961 Super Mini

12 FUNCTION

- Hex key** 2/3/4/5/6mm
  - Torx** T25
  - Phillips** #2 & flat Screwdrive
  - Spoke tool** 14/15g ,0.136"/0.156"
- 12 FUNCTION



## CC-MT407

19 FUNCTION

- Hex key** 2/2.5/3/4/5/6/8mm
- Torx** T25
- Phillips** #2 & flat Screwdrive
- Wrench** 8/10mm
- Spoke tool** 3.3/3.45/4 ,Mavic, chain tool, tire lever 2pcs



## CC-MT204

10 FUNCTION

- Hex key high polishing** 2/2.5/3/4/5/6mm
- Phillips** #2 & flat Screwdrive
- Wrench** 8/10mm  
Bottle opener



## CC-MT1960

12 FUNCTION

- Hex key** 2/3/4/5/6/8mm
- Torx** T25
- Phillips** #1 & flat Screwdrive
- Wrench** 8/10mm, chain tool, tufo valve key
- Spoke tool** 14/15g ,0.136",0.156"





# COMPUTER ADAPTER



P.A.T.

**CC-AD01**  
Computer / Lighting Adapter

**Diameter** 31.8mm  
**Bore** 22.2mm  
**Material** AL6061T6 Full CNC-machined  
**Finish** Anodized color  
**Length** 70mm  
**Weight** 45g



**CC-AD01C**

**Finish** Anodized color  
**Weight** 45g



**CC-AD04**  
Computer / Lighting Adapter

**Diameter** 31.6mm  
**Shim** 25.4, 26mm  
**Bore** 22.2mm  
**Material** AL6061T6  
**Finish** Anodized color



**CC-AD04A**  
Computer / Lighting Adapter

**Diameter** 31.6mm  
**Shim** 25.4mm\*2set, 26mm\* 2sets  
**Bore** 22.2mm  
**Material** AL6061T6  
**Finish** Anodized color



**CC-AP10**

**Diameter** 25mm  
**Material** AL6061T6  
**Finish** Anodized color  
**Length** 40mm



P.A.T.



**CC-AP020**

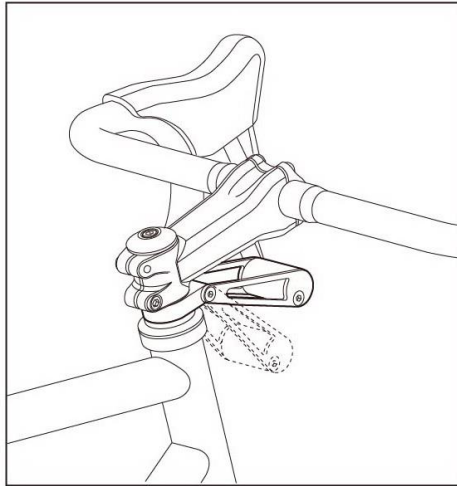
**Diameter** 25mm  
**Material** AL6061T6  
**Finish** Anodized color  
**Length** 40mm  
**Thread** M5xP0.8x20 mm



**CC-CE01**

**Material** AL6061T6  
**Finish** Anodized color  
**Size** 1-1/8"  
**Weight** 75g

# COMPUTER ADAPTER



## CC-AD13

Headset spacer mount  
Accessory holder  
Ultra light weight accessory holder  
replace a 1-1/8 headset spacer

**Material** AL6061T6  
**Finish** Anodized color  
**ID** 28.6mm



## CC-AD10

**Weight** 19g



## CC-AD11

With Silicon Band



## CC-AD12

**Material** Shell: Aluminum  
LED: Silicon band  
**Weight** 12g

# Number Clamp For Seatpost

## CC-PCN01



# AXLE PEG



## CC-F015

**Material** AL6061T6  
**Diameter** Ø24mm  
**Length** 75mm  
**Thread** 3/8" x 26T  
**Finish** Anodized Color



## CC-F016

**Material** AL6061T6  
**Diameter** Ø28mm  
**Length** 100mm  
**Thread** 3/8" x 26T  
**Finish** Anodized Color



## CC-F032

**Material** AL6061T6  
**Diameter** Ø32, Ø38, Ø50mm  
**Length** 110mm  
**Thread** 3/8" x 26T or M10 x 1.25  
**Finish** Anodized Color or Steel



## CC-F035

**Material** AL6061T6  
**Diameter** Ø32mm  
**Length** 110mm  
**Thread** 3/8" x 26T or M10 x 1.25  
**Finish** Anodized Color



## CC-F018

**Material** AL6061T6  
**Diameter** Ø19mm  
**Length** 65mm  
**Thread** 3/8" x 26T  
**Finish** Anodized Color



## CC-F020

**Material** AL6061T6  
**Diameter** Ø25mm  
**Length** 75mm  
**Thread** 3/8" x 26T  
**Finish** Anodized Color



## CC-F038

**Material** Steel  
**Diameter** Ø38mm  
**Length** 110mm  
**Thread** 3/8" x 26T or 14  
**Finish** CP or ED



## CC-F040

**Material** Steel  
**Diameter** Ø38mm  
**Length** 110mm  
**Thread** 3/8" x 26T or 14  
**Finish** CP or ED



## CC-F022

**Material** AL6061T6  
**Diameter** Ø38, Ø50mm  
**Length** 110mm  
**Thread** 3/8" x 26T or M10 x 1.25  
**Finish** Anodized Color



## CC-F026

**Material** Steel  
**Diameter** Ø38mm  
**Length** 110mm  
**Thread** 3/8" x 26T or 14  
**Finish** CP or ED (Black)



## CC-F041

**Material** AL6061T6  
**Diameter** Ø38mm  
**Length** 110mm  
**Thread** 3/8" x 26T or M10 x 1.25  
**Finish** Anodized Color



## CC-S102

**Material** Steel  
**Finish** CP or BK



## CC-F030

**Material** AL6061T6  
**Diameter** Ø38, Ø50mm  
**Length** 110mm  
**Thread** 3/8" x 26T or M10 x 1.25  
**Finish** Anodized Color or Steel



## CC-F031

**Material** AL6061T6  
**Diameter** Ø38, Ø50mm  
**Length** 110mm  
**Thread** 3/8" x 26T or M10 x 1.25  
**Finish** Anodized Color or Steel



# CHAIN GUIDE SYSTEM

# BOTTLE CAGE



## CC-CG01

**Material** AL6061T6  
**Finish** Anodized Color



## CC-CHD01 Hanger For Derailleur

**Material** AL6061T6  
**Finish** Anodized Color



## CC-VCT11 Vertical Chain Tensioner

**Material** AL6061T6  
**Finish** Anodized Color



## CC-VCT12 Vertical Chain Tensioner

**Material** AL6061T6  
**Finish** Anodized Color

## CC-VCT21 Vertical Chain Tensioner / Dual Cog Version

**Material** AL6061T6  
**Finish** Anodized Color



## CC-BC01

**Material** Carbon  
**Weight** 27.4g



## CC-BC03

**Material** Carbon  
**Weight** 27.5g



## CC-BC15

**Material** Carbon  
**Weight** 26g



## CC-BC17

**Material** Carbon  
**Weight** 8g



## CC-BC18

**Material** Carbon  
**Weight** 23g



## CC-BC20

**Material** Carbon  
**Weight** 23g